

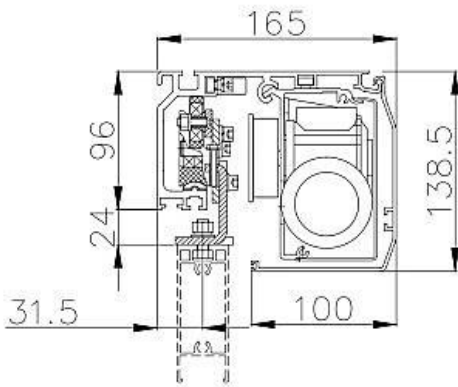


DOORMAN AUTOMATIC SLIDING DOOR TECHNICAL DATA

DM – SD500E

Model Number

Linear Sliding



Cross Section Details

FEATURES

DM-SD500E

- ❑ The integrated drive control system design, the drive motor and the controller are combined into one unit, and the interlocking structure with the guide rail, only two screws are fixed during installation, which is fast and reliable.
- ❑ The system will detect the weight of the door leaf and the size of the door leaf, and adjust the operating parameters to keep the automatic door in optimal operation.
- ❑ The unique mute strip absorbs the noise of the roller and keeps the environment quiet.
- ❑ The microcomputer controller displays the fault in the automatic door operation, enabling the maintenance personnel to quickly and accurately eliminate the fault. In the power-off mode, the backup battery can be configured to keep the door open and closed to meet the requirements of fire protection.
- ❑ Suitable for office buildings, storefront, banks, restaurants, hotels, shopping centers, laboratories, hospitals and other places.

TECHNICAL DATA

Max Door weight (single)	1 * 120kgs
Max Door weight (double)	2 * 100kgs
Door Leaf Width	700 – 1400mm/800-2000mm
Opening Speed	150 – 500mm/s (Adjustable)
Closing Speed	150 – 400mm/s (Adjustable)
Power Supply	AC 220V 10%, 50/60Hz
Holding Time	0 – 20seconds (Adjustable)
Rated Power	50W
Temperature Range	- 20 °C ~ + 50°C

Function Details

Working model

- Automatic
- Always open
- Partial open
- Full lock
- One way
- Self-learning
- Self-lock
- Error message
- Anti-clamp function
- Fire alarm terminal
- Access keypad terminal
- Interlock function
- LED display